

prothelis

GRETA

Quick start guide



PROTHELIS SAYS THANK YOU!

We are delighted that you have chosen to purchase a "GRETA" tracker from prothelis and thank you for the confidence you have shown in us.

Important Note

Please note that GRETA requires approximately 24 hours after activation to achieve the optimum functionality.

The activation process is supposed to be indicated by a flashing LED light after the tracker has been placed in the charging tray. In some cases however, this may take up to 20 minutes since the battery requires a minimum level of charge.



Items included with the product





Activating GRETA

1. Go to my-prothelis.de/activate and create a user account.

2. Register your tracker and choose a service package for the desired period.

You need the service package to be able to use "GRETA" and our 24-hour notification service.

3. Connect the charging station to the supplied mains plug and insert the plug into a 100-240V socket.

4. Place the tracker in the charging station. The tracker flashes and should not be removed from the charging station until the activation process has been completed. Once the tracker has been activated, it stops flashing and is ready to use.



Installing the app

Download the free **prothelis** app from the App Store or Play Store and simply scan in the QR code.



Sign in to your account.

The tracker is now ready for use.

Download the web app here: my-prothelis.de



Using your tracker

Once successfully activated you can use your tracker straight away. Your tracker's current position and battery status can now be seen in the **prothelis** app.

If you have any other questions or suggestions regarding our products, please contact us at: support@prothelis.de

Charging your tracker's battery

Place the tracker into the charging station. The tracker starts the charging process automatically.

The charging process is indicated by a **yellow** light on the tracker. Once the charging process is complete, this light changes to **green**.

The **prothelis** app informs you when the battery is low. The tracker also indicates this with a flashing **red** light.



SAFETY INFORMATION

General

Before you begin using the tracker you must please read through this safety information. It includes important information that guarantees the tracker is used correctly. The tracker and its accessories can only be used properly if you are familiar with the operating instructions and with the safety information and terms of use. Being familiar with this will protect you and your environment against hazards.

In addition to the mandatory requirements contained in this safety information, please also exercise the care that is typically required when using electrical appliances in traffic situations. Please contact us if you have any concerns regarding the safety information. We will be happy to help you.

Any use of the tracker and its accessories other than for the intended use is prohibited. Any claims for damages against Prothelis GmbH that are caused by use other than for the intended use are excluded.

All the specifications and information have been compiled taking the current state of technology and engineering development standards into account.

First steps

Remove all the elements from the packaging and check that everything is present. All products are subject to a restrictive quality control. Nevertheless, please check that the elements (in particular the cable) are intact. Sources of danger are, for example, cracks in the cable insulation.

Only activate the tracker and its accessories with the help of the quick start guide or the operating instructions.

The tracker and accessories are not intended for people (in particular children) who cannot assess the implications of electronic and technical features and can therefore not handle them. Children in particular cannot assess the potential hazards, such as swallowing or improper use. The same care must be taken with animals and pets.



The tracker may only be charged in an ambient temperature of 0 °C to 45 °C. Otherwise the battery could be damaged.

Safe storage

The tracker and accessories must be stored in such a way that they are out of reach of the aforementioned people or animals and pets.

The tracker has been developed for use in temperatures ranging from -20 °C to 60 °C. Please always ensure that the tracker is not exposed to any heat sources that exceed the aforementioned temperature. Otherwise it may overheat and in extreme cases lead to the battery and tracker being damaged, with serious consequences such as smoke or fire.

Please refrain from having the tracker or accessories engraved. This could lead to anything from an impairment of functionality to a complete breakdown of the tracker, as well as potential hazards such as overheating.

Attaching the tracker safely

The cable and charger must be protected from moisture. Always ensure that nobody but you has access to the charger and cable. Heavy mechanical strain or constant, unusually strong vibrations must be avoided

Please always ensure that the tracker is attached safely to the object being tracked.

- **Always ensure that the tracker is attached to the object being tracked in such a way that it is not exposed to any excessive heat. (Tracker is attached under a vehicle's bonnet).**
- **The tracker and accessories must not be attached and stored in or near heating and gas equipment or similar.**
- **When attaching the tracker to motorised and non-motorised modes of transport always ensure that it is not attached in a place that could impair steering or functionality.**



- **When transporting (heavy) goods the tracker must be attached in such a way that there is no chance of it being deformed as a result of a long journey.**
- **The permanent use of the tracker in and around transmitters (radar systems, transmission masts and similar) may lead to interference and impair the tracker's mode of operation.**
- **Interference can occur with objects which contain magnetic strips or chips (credit, debit or similar payment and identification cards). In extreme cases, this can lead to damage to the tracker or to the object itself. Try to keep the tracker as far away from such objects as possible.**

Damage

It is prohibited to use the tracker and its accessories if it can no longer be used in the way it was intended (cracks in tracker's casing, no visual indicators displayed when placed in charger, charging cable damaged, or similar). Please contact us or one of our licensed partner companies.

Battery/Waste disposal

Under the EU Directive 2002/96/EC on Waste Electrical and Electronic Equipment (WEEE), electrical and electronic items may not be disposed of together with household waste. Consumers must hand over any waste equipment that cannot be used any more to a separate collection point. By doing this it is ensured that waste equipment is properly recovered and recycled, preventing any negative impact on the environment.

The same applies to batteries in accordance with the Battery Ordinance (BattV). It is prohibited to dispose of them in the household waste. Used batteries/rechargeable batteries may be returned free of charge to collection points in your community.

Never try to remove the battery from the device!





Technical Details

Locating methods

GNSS (satellite navigation)
GSM (mobile communication)
Inertial (motion sensors)

Connection

GPRS

Protection standard

IP 67

GNSS receiver

GPS & GLONASS
Precision: < 2.5 metres (CEP)
Integrated antenna

GSM module

GSM 900 33dBm (2W)
GSM 1800 30dBm (1W)
Integrated antenna

SIM card

Embedded SIM (fixed)
Active worldwide

User interface

Built-in LED
Mobile app
Web app for PC

Accumulator

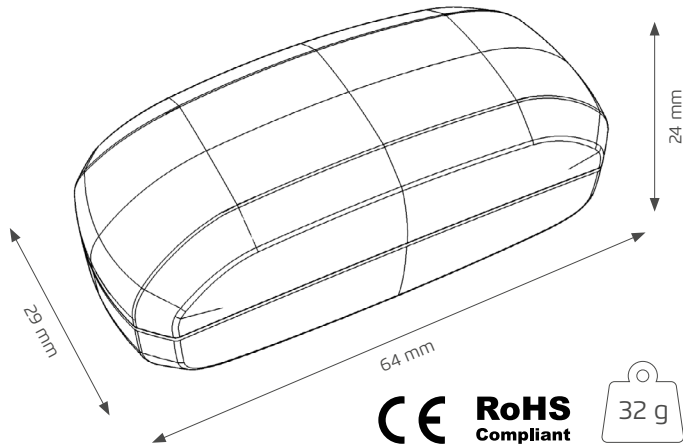
Intelligent energy management
630 mAh LiPo battery
Battery lasts up to five days with active use and up to 24 days when in standby

Temperature

When charging: 0 to 45°C
In use: -20 to 60°C

Inertial navigation system

(9-axis sensor)
Accelerometer
Magnetometer
Gyroscope



Warranty

The statutory warranty period applies in each case.

Declaration of conformity

Prothelis AG hereby declares that the GPS tracking device GRETA (article no. 090148-01) complies with the essential requirements and other relevant provisions

of Directive 2014/53/EU. The complete text of the Declaration of conformity can be downloaded from the following website: www.prothelis.de/conformity

www.prothelis.de

prothelis
protecting life

Prothelis AG
Schiesstraße 48
40549 Düsseldorf